

## Residential Atmospheric Vent Gas Water Heater



Photo is of  
RG240T6N

**FEATURING:**



**The Atmospheric Vent FVIR Defender Safety System® Models Feature:**

- **Bradford White ICON System™**—Intelligent gas control with proven millivolt powered technology and built-in piezo igniter. A standard, off the shelf thermopile converts heat energy from the pilot flame into electrical energy to operate the gas valve and microprocessor. No need for external electricity.
  - **Enhanced Performance**—Proprietary algorithms provide enhanced First Hour Rating and tighter temperature differential.
  - **Advanced Temperature Control System**—Microprocessor constantly monitors and controls burner operation to maintain consistent and accurate water temperature levels.
  - **Intelligent Diagnostics**—An exclusive green LED light prompts the installer during start-up and provides ten different diagnostic codes to assist in troubleshooting.
  - **Pilot On Indication**—Flashing green LED provides positive indication that pilot is on.
  - **Separate Immersed Thermowell**—High-strength advanced polymer composite thermowell provides isolation between electric temperature sensor and surrounding water. No need to drain the tank when removing gas valve.
- **Advanced ScreenLok® Technology Flame Arrestor Design**—Flame arrestor is designed to prevent ignition of flammable vapor outside of the water heater.
- **Resettable Thermal Switch**—Proven and reliable bimetallic switch prevents burner and pilot operation in case of ongoing flammable vapor burn inside of the combustion chamber or restricted air flow.
- **Maintenance-Free**—No regular cleaning of air inlet openings or flame arrestor is required under normal conditions.
- **Sight Window**—Offers a view into the combustion chamber to observe the operation of the pilot and burner.
- **Factory-Installed Hydrojet® Total Performance System**—Sediment reducing device that also increases first hour rating of hot water while minimizing temperature build-up in tank.
- **Vitraglas® Lining**—An exclusively engineered enamel formula that provides superior tank protection from the highly corrosive effects of hot water. This formula (Vitraglas®) is fused to the steel surface by firing at a temperature of over 1600°F (871°C).
- **Insulation System**—Non-CFC foam covers the sides and top of the tank, reducing heat loss. This results in less energy consumption, improved efficiencies, and jacket rigidity.
- **Pedestal Base.**
- **Water Connections**—3/4" NPT factory installed true dielectric fittings.
- **Factory-Installed Heat Traps.**
- **Protective Magnesium Anode Rod.**
- **3x4 "Snap Lock" Draft Diverter**—Allows either 3" (76mm) or 4" (102mm) vent connections with inputs of 40,000 BTU/Hr. or less. Over 40,000 BTU/Hr. has the 4" (102mm) "Snap Lock" Draft Diverter.
- **T&P Relief Valve**—Installed.
- **Low Restrictive Brass Drain Valve**—Durable tamper proof design.
- **NOx Emissions**—Less than 40 ng/J.

**6 or 10-Year Limited Tank Warranties / 6 or 10-Year Limited Warranty on Component Parts.**

For more information on warranty, please visit [www.bradfordwhite.com](http://www.bradfordwhite.com)

For products installed in USA, Canada and Puerto Rico. Some states do not allow limitations on warranties. See complete copy of the warranty included with the heater.

# Residential Atmospheric Vent Gas Water Heater

## Atmospheric Vent Models

NATURAL GAS AND LIQUID PROPANE GAS

Recovery efficiency ranging up to 80%

| Model Number | Capacity  |           | First Hour Rating (Gal.) |                  | Energy Factor | Recovery 90°F Rise* |               |             |             | A Floor to Flue Conn. in. | B Jacket Dia. in.                | C Vent Size in. | D Floor to T&P Conn. in. | E Floor to Gas Conn. in.  | F Floor to Water Conn. in.       | G Floor to Top of Heater in.    | H Depth in.                      | Approx. Shipping Weight lbs.   |     |
|--------------|-----------|-----------|--------------------------|------------------|---------------|---------------------|---------------|-------------|-------------|---------------------------|----------------------------------|-----------------|--------------------------|---|----------------------------------|---------------------------------|----------------------------------|--------------------------------|-----|
|              | U.S. Gal. | Imp. Gal. | Nat. BTU/Hr. Input       | LP BTU/Hr. Input |               | Nat. U.S. GPH       | Nat. Imp. GPH | LP U.S. GPH | LP Imp. GPH |                           |                                  |                 |                          |   |                                  |                                 |                                  |                                |     |
| RG130T6N     | 30        | 25        | 27,000                   | 27,000           | 52            | 0.63                | 29            | 24          | 29          | 24                        | 59 <sup>15</sup> / <sub>16</sub> | 16              | 3X4                      | 49 <sup>3</sup> / <sub>4</sub> / 56 <sup>3</sup> / <sub>8</sub> | 12 <sup>11</sup> / <sub>16</sub> | 57 <sup>1</sup> / <sub>16</sub> | 56 <sup>3</sup> / <sub>8</sub>   | 19 <sup>1</sup> / <sub>2</sub> | 109 |
| RG230T6N     | 30        | 25        | 32,000                   | 31,000           | 58            | 0.64                | 34            | 28          | 33          | 23                        | 59 <sup>15</sup> / <sub>16</sub> | 18              | 3X4                      | 49 <sup>7</sup> / <sub>8</sub> / 56 <sup>3</sup> / <sub>8</sub> | 12 <sup>11</sup> / <sub>16</sub> | 57 <sup>1</sup> / <sub>16</sub> | 56 <sup>3</sup> / <sub>8</sub>   | 21 <sup>1</sup> / <sub>2</sub> | 116 |
| RG230S6N     | 30        | 25        | 30,000                   | 32,000           | 56            | 0.63                | 32            | 37          | 32          | 27                        | 49 <sup>1</sup> / <sub>4</sub>   | 20              | 3X4                      | 38 <sup>5</sup> / <sub>8</sub>                                  | 12 <sup>11</sup> / <sub>16</sub> | 46 <sup>1</sup> / <sub>2</sub>  | 45 <sup>11</sup> / <sub>16</sub> | 23 <sup>1</sup> / <sub>2</sub> | 113 |
| RG140T6N     | 40        | 33        | 34,000                   | 34,000           | 70            | 0.62                | 37            | 31          | 37          | 31                        | 61 <sup>1</sup> / <sub>2</sub>   | 18              | 3X4                      | 51 <sup>1</sup> / <sub>2</sub> / 60                             | 12 <sup>11</sup> / <sub>16</sub> | 59 <sup>1</sup> / <sub>4</sub>  | 57 <sup>15</sup> / <sub>16</sub> | 21 <sup>1</sup> / <sub>2</sub> | 132 |
| RG240T6N     | 40        | 33        | 40,000                   | 36,000           | 76            | 0.62                | 43            | 36          | 34          | 33                        | 60 <sup>5</sup> / <sub>16</sub>  | 20              | 3X4                      | 50 <sup>1</sup> / <sub>8</sub> / 56 <sup>5</sup> / <sub>8</sub> | 12 <sup>11</sup> / <sub>16</sub> | 57 <sup>9</sup> / <sub>16</sub> | 56 <sup>3</sup> / <sub>4</sub>   | 23 <sup>1</sup> / <sub>2</sub> | 134 |
| RG240S6N     | 40        | 33        | 40,000                   | 35,000           | 74            | 0.62                | 43            | 36          | 41          | 34                        | 51 <sup>3</sup> / <sub>4</sub>   | 22              | 3X4                      | 41 / 47 <sup>1</sup> / <sub>4</sub>                             | 12 <sup>11</sup> / <sub>16</sub> | 49 <sup>3</sup> / <sub>16</sub> | 48 <sup>3</sup> / <sub>16</sub>  | 25 <sup>1</sup> / <sub>2</sub> | 139 |
| RG150T6N     | 50        | 42        | 34,000                   | 34,000           | 82            | 0.60                | 37            | 31          | 37          | 31                        | 60 <sup>5</sup> / <sub>16</sub>  | 20              | 3X4                      | 50 / 56 <sup>3</sup> / <sub>8</sub>                             | 12 <sup>11</sup> / <sub>16</sub> | 57 <sup>5</sup> / <sub>8</sub>  | 56 <sup>3</sup> / <sub>4</sub>   | 23 <sup>1</sup> / <sub>2</sub> | 150 |
| RG250T6N     | 50        | 42        | 40,000                   | 35,000           | 89            | 0.62                | 43            | 36          | 41          | 34                        | 60 <sup>5</sup> / <sub>16</sub>  | 22              | 3X4                      | 49 <sup>7</sup> / <sub>8</sub> / 57                             | 12 <sup>11</sup> / <sub>16</sub> | 57 <sup>7</sup> / <sub>8</sub>  | 56 <sup>3</sup> / <sub>4</sub>   | 25 <sup>1</sup> / <sub>2</sub> | 154 |
| RG250L6N     | 48        | 40        | 40,000                   | 35,000           | 88            | 0.60                | 43            | 36          | 41          | 34                        | 51 <sup>13</sup> / <sub>16</sub> | 24              | 3X4                      | 40 <sup>5</sup> / <sub>8</sub>                                  | 12 <sup>11</sup> / <sub>16</sub> | 49 <sup>3</sup> / <sub>8</sub>  | 48 <sup>3</sup> / <sub>16</sub>  | 27 <sup>1</sup> / <sub>2</sub> | 170 |
| RG250S6N     | 50        | 42        | 50,000                   | 48,000           | 93            | 0.60                | 54            | 45          | 52          | 45                        | 60 <sup>5</sup> / <sub>8</sub>   | 22              | 4                        | 49 <sup>7</sup> / <sub>8</sub> / 57                             | 12 <sup>11</sup> / <sub>16</sub> | 57 <sup>5</sup> / <sub>8</sub>  | 56 <sup>3</sup> / <sub>4</sub>   | 25 <sup>1</sup> / <sub>2</sub> | 167 |

| Model Number | Capacity |  | First Hour Rating (Liters) |             | Energy Factor | Recovery 50°C Rise* |                | A Floor to Flue Conn. mm. | B Jacket Dia. mm. | C Vent Size mm. | D Floor to T&P Conn. mm. | E Floor to Gas Conn. mm. | F Floor to Water Conn. mm. | G Floor to Top of Heater mm. | H Depth mm. | Approx. Shipping Weight kg. |    |
|--------------|----------|--|----------------------------|-------------|---------------|---------------------|----------------|---------------------------|-------------------|-----------------|--------------------------|--------------------------|----------------------------|------------------------------|-------------|-----------------------------|----|
|              | Liters   |  | Nat. kW Input              | LP kW Input |               | Nat. Liters/Hour    | LP Liters/Hour |                           |                   |                 |                          |                          |                            |                              |             |                             |    |
| RG130T6N     | 114      |  | 7.9                        | 7.9         | 197           | 0.63                | 110            | 110                       | 1522              | 406             | 76x102                   | 1264 / 1432              | 322                        | 1449                         | 1432        | 495                         | 49 |
| RG230T6N     | 114      |  | 9.4                        | 9.1         | 220           | 0.64                | 129            | 125                       | 1522              | 457             | 76x102                   | 1267 / 1432              | 322                        | 1449                         | 1432        | 546                         | 53 |
| RG230S6N     | 114      |  | 8.8                        | 9.4         | 212           | 0.63                | 121            | 121                       | 1251              | 508             | 76x102                   | 982                      | 322                        | 1181                         | 1160        | 597                         | 51 |
| RG140T6N     | 151      |  | 10.0                       | 9.9         | 265           | 0.62                | 139            | 139                       | 1562              | 457             | 76x102                   | 1308 / 1524              | 322                        | 1505                         | 1472        | 546                         | 60 |
| RG240T6N     | 151      |  | 11.7                       | 10.6        | 288           | 0.62                | 163            | 129                       | 1532              | 508             | 76x102                   | 1273 / 1438              | 322                        | 1462                         | 1441        | 597                         | 61 |
| RG240S6N     | 151      |  | 11.7                       | 10.3        | 280           | 0.62                | 163            | 155                       | 1314              | 559             | 76x102                   | 1041 / 1200              | 322                        | 1249                         | 1224        | 648                         | 63 |
| RG150T6N     | 189      |  | 10.0                       | 9.9         | 310           | 0.60                | 139            | 139                       | 1532              | 508             | 76x102                   | 1270 / 1432              | 322                        | 1464                         | 1441        | 597                         | 68 |
| RG250T6N     | 189      |  | 11.7                       | 10.3        | 337           | 0.62                | 163            | 155                       | 1532              | 559             | 76x102                   | 1267 / 1448              | 322                        | 1470                         | 1441        | 648                         | 77 |
| RG250L6N     | 182      |  | 11.7                       | 10.3        | 333           | 0.60                | 163            | 155                       | 1316              | 610             | 76x102                   | 1032                     | 322                        | 1254                         | 1224        | 699                         | 70 |
| RG250S6N     | 189      |  | 14.7                       | 14.1        | 352           | 0.60                | 204            | 197                       | 1540              | 559             | 102                      | 1267 / 1448              | 322                        | 1464                         | 1441        | 648                         | 76 |

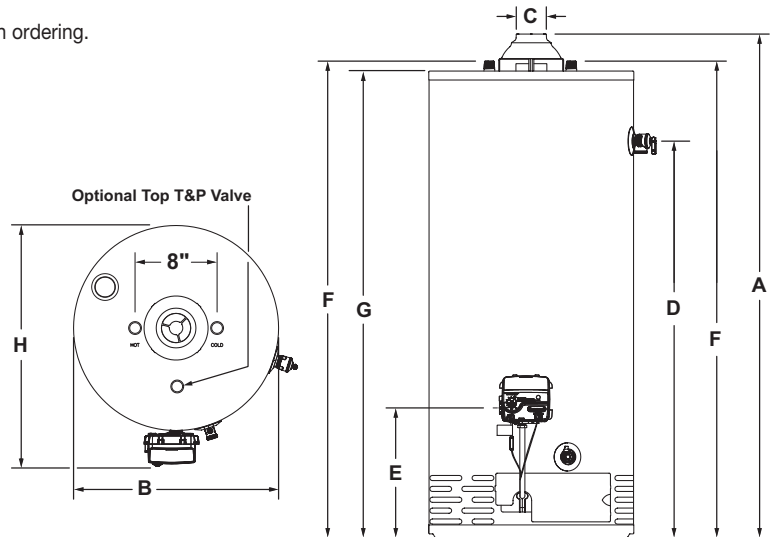
Propane models feature a Titanium Stainless Steel propane burner. For Propane (LP) models change suffix "N" to "X".

For 10 year models, change suffix from "6" to "10".

\* Based on manufacturer's rated recovery efficiency.

• Models feature optional top T&P and must be specified when ordering.

Note: RG230S6N and RG250L6N do not have top T&P option.



### General:

All gas water heaters are certified at 300 psi test pressure (2068 kPa) and 150 psi working pressure (1034 kPa). All water connections are 3/4" NPT (19mm) on 8" (203mm) centers. All gas connections are 1/2" (13mm). All models design-certified by CSA International (formerly AGA/CGA), ANSI standard Z21.10.1 and peak performance rated.

**Dimensions and specifications subject to change without notice in accordance with our policy of continuous product improvement.**

**Suitable for Water (Potable) Heating and Space Heating.** Toxic chemicals, such as those used for boiler treatment, shall NEVER be introduced into this system. This unit may NEVER be connected to any existing heating system or component(s) previously used with a non-potable water heating appliance.



Sales / Technical Support 866-690-0961 / 905-203-0600 • Fax 905-636-0666 / www.bradfordwhite.com

**Built to be the Best™**